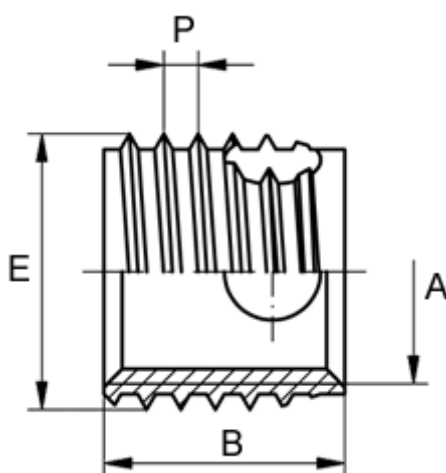


Article number: 12348000120500
Description: KLEE-coil 348 000 120.500
M 12 St. steel 1.4305

Measures



Female thread A	= M12
Length B	= 22
Male thread E	= 14.0
Min hole depth blind hole	= 26
Pre-drilled max	= 13.5
Pre-drilled min	= 13.2
Thread pitch P	= 1.75
Type	= 348 000 120 ...